

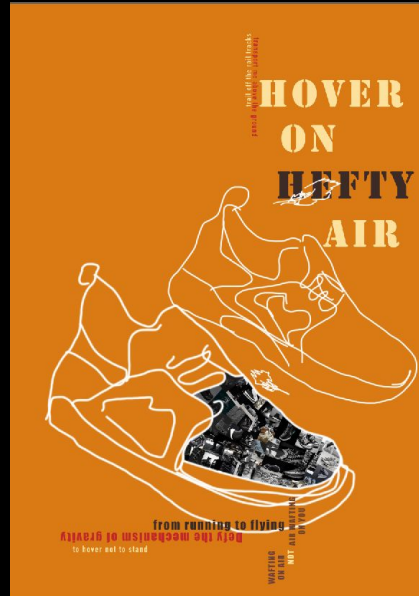
GCSE Graphic communication –

100% coursework – 3 projects altogether including an externally set exam project

10 hour exam at end of year 11

Our projects focus on:

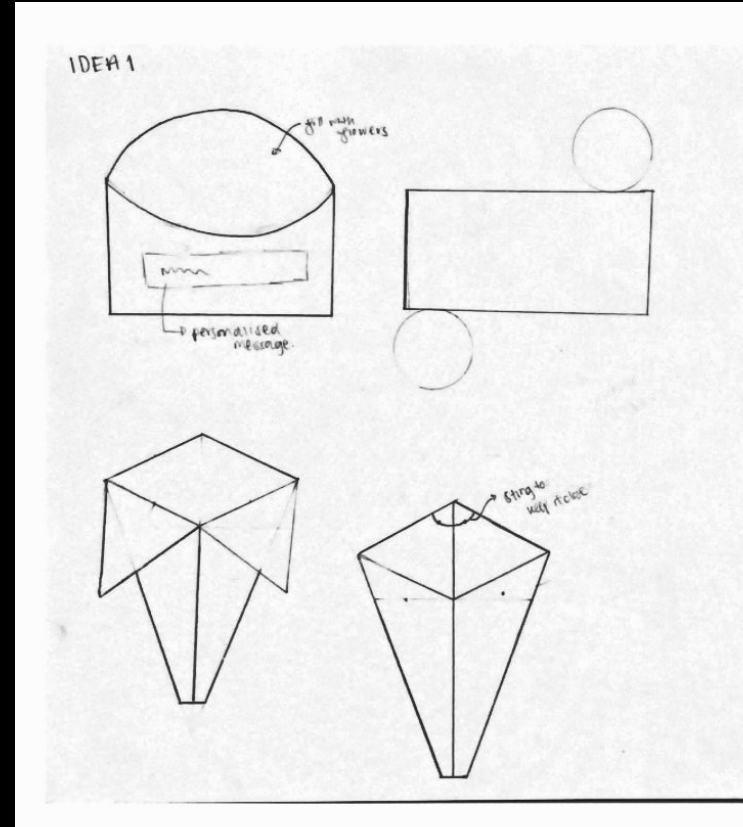
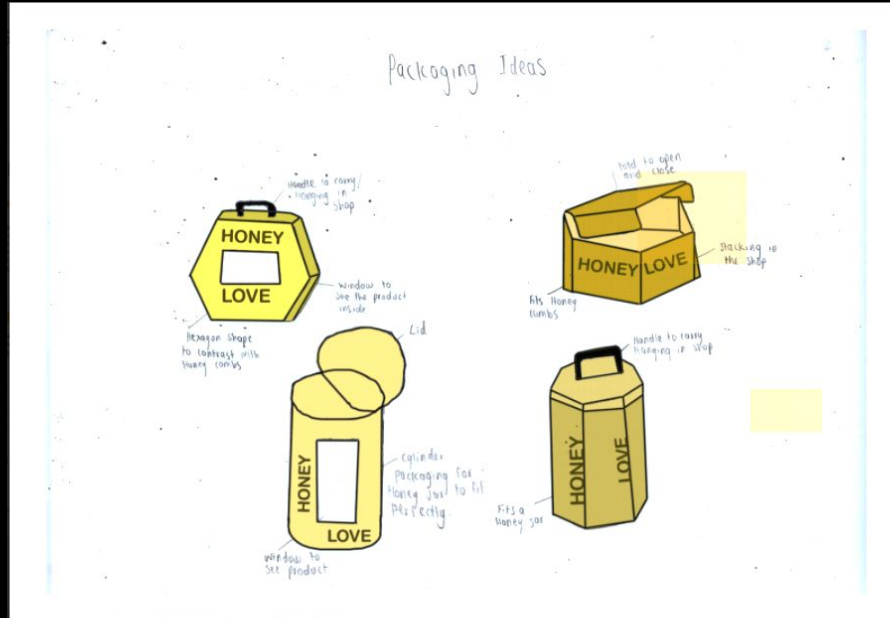
- Packaging
- Logo design
- Illustration
- Advertising
- Typography
- Developing ideas
- Researching iconic designers
- Analysing existing designs
- Digital drawings/photography



Final Net



Current year 11 work - Packaging drawings



Can lead to careers such as:

Graphic designer

Illustrator

3D animator

Art director

Motion graphics designer

App designer

Website designer

UX designer

Architect

Interior designer



To be a Graphics student you need to:

Attend catch up sessions to complete work

Analyse artwork in depth.

Be resilient as you constantly have to adapt your ideas.

Use extensive Graphics vocabulary when you annotate work.

Be able to listen and respond to feedback

Work independently on a project of your own choice

Practise using Photoshop at home

Commit to 5 hours of homework a week.

Draw and sketch out ideas

Be open to trying out new techniques.

